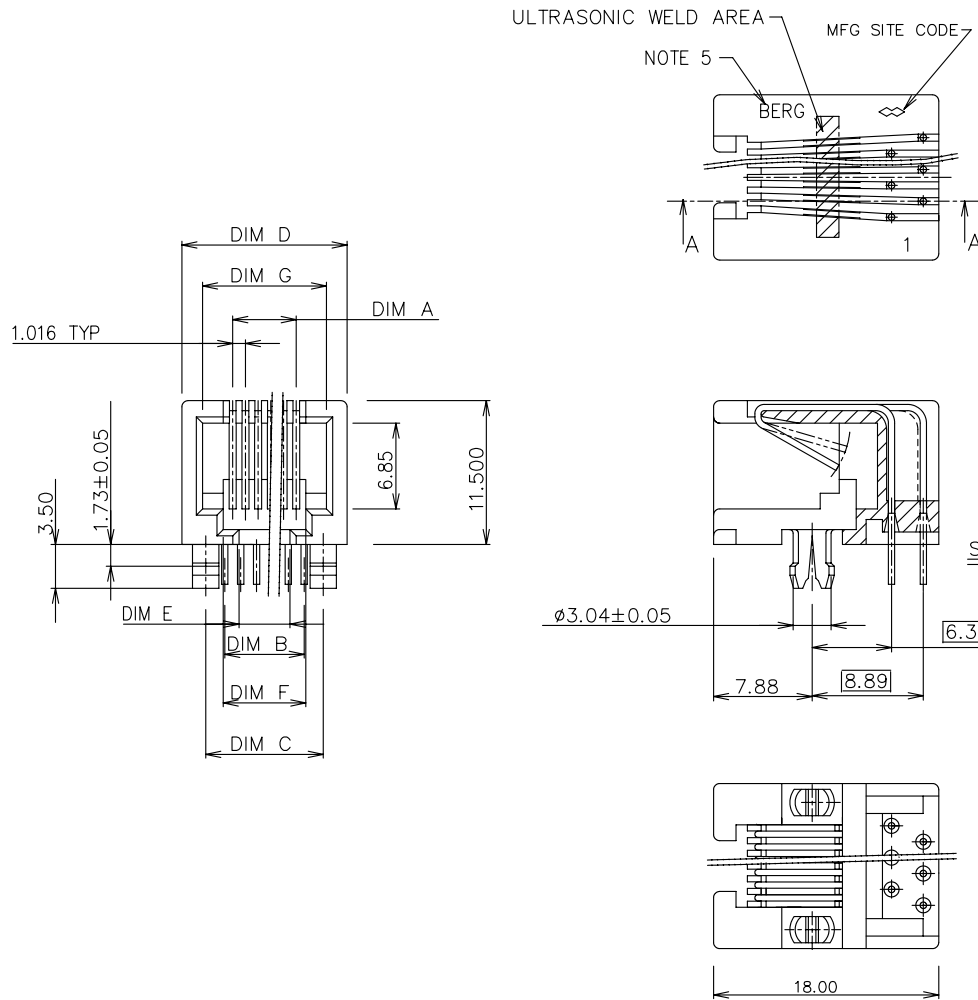


Tous droits strictement réservés. Reproduction ou communication, a des tiers int  
 sous quelque forme que ce soit sans autorisation écrite du propriétaire.  
 propriété de c BERG ELECTRONICS.  
 Droits de reproduction BERG ELECTRONICS by

All rights strictly reserved. Reproduction or issue to third parties, in any for  
 whatever is not permitted without written authority from the proprietor.  
 Property of c BERG ELECTRONICS.  
 Copyright BERG ELECTRONICS by

PRODUCT NO.  
 93067-XXX



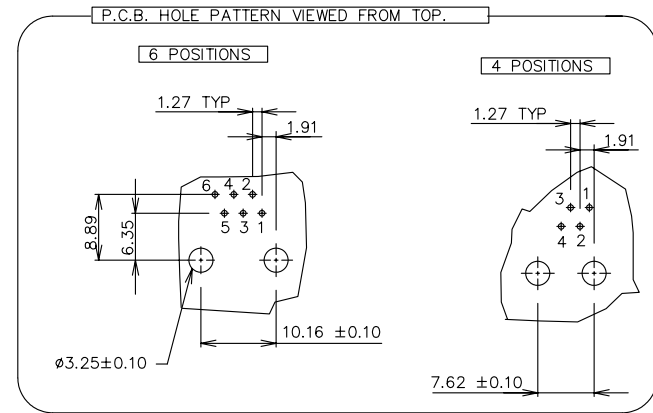
mat'l code		tolerance unless otherwise specified		CUSTOMER COPY		 <a href="http://www.fciconnect.com">www.fciconnect.com</a>		
rev.	ecn no.	dr	date	linear	.0 ± 0.20	projection	title	
A	T30105				.00 ± 0.10			
B	T40242	CL	10/11/94	angles	± 2°	product family size dwg no.	code TWN sheet 1 OF 2	
C	T03-0443	WL	10/06/03	enr	TONY CHIEN 04/22/93			A3 93067
D	N05-0030	YS	02/05/05	chr	TONY CHIEN 04/22/93			
				appd	JENN TSAO 04/22/93			
sheet	revision	D	D					
index	sheet	1	2					

Tous droits strictement réservés. Reproduction ou communication à des tiers int  
 sans autorisation écrite du propriétaire.  
 Property of BERG ELECTRONICS.  
 Copyright BERG ELECTRONICS by

All rights strictly reserved. Reproduction or issue to third parties in any for  
 without written authority from the proprietor.  
 Property of BERG ELECTRONICS.  
 Copyright BERG ELECTRONICS by

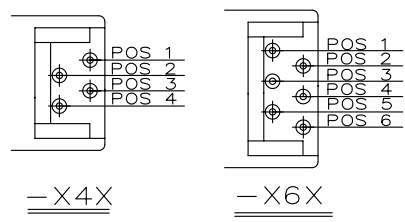
PRODUCT NO.  
93067-xxx

PRODUCT NUMBER	NUMBER OF POS.	DIM A	DIM B	DIM C	DIM D	DIM E	DIM F	DIM G	LOA DED POSITION	PLATING
93067-066 93067-066LF	6	5.08	6.35	10.16	13.20	4.06	6.60	9.90	ALL POS.	30u" G.X.T.



NOTES:

1. RECOMMENDED P.C.B THICKNESS 1.60 MM
2. HOUSING MAT'L: NYLON 6/6, 25% GLASS REINFORCED, UL94-V0, COLOR-BLACK.
3. CONTACTS: PHOS BRONZE ALLOY UNS-C51000, 0.460DIA. ROUND WIRE. PLATING SEE TABLE.
4. STANDARD PACKAGING METHOD(USE TUBE): SEE GES-14-361.
5. COMPANY LOGO CAN BE "BERG" OR "DU PONT", AND WOULD APPEAR IN THE SAME SHIPMENT UNLESS LOGO SPEC HEREIN IS UPDATED.
6. COMPANY LOGO CAN BE "BERG" OR "DU PONT", AND WOULD APPEAR IN THE SAME SHIPMENT UNLESS LOGO SPEC HEREIN IS UPDATED.
7. THE PRODUCT MEETS EUROPEAN UNION DIRECTIVES AND OTHER COUNTRY REGULATIONS AS DESCRIBED IN GS-22-008.
8. THE HOUSING WILL WITHSTAND EXPOSURE TO 260°C PEAK TEMPERATURE FOR 10 SECONDS IN A WAVE SOLDER APPLICATION WITH A 1.60mm MINIMUM THICK CIRCUIT BOARD.
9. IF LF P/N PACKAGING MEETS GS-14-920 SPECIFICATION.



WIRE POSITION No

mat'l code		tolerance unless otherwise specified		CUSTOMER COPY		 www.fciconnect.com	
rev.	ecn no.	dr	date	linear	.0 ± 0.20	projection	title LOW PROFILE PCB III HORZ MOD JACK. FOR 1.6MM P.C.B.
D					.00 ± 0.10		
				angles	± 2°		
		dr	KCHOU	04/22/93	unit	mm/inch	product family
		enr	TONY CHIEN	04/22/93	scale	1/1	code
		chr	TONY CHIEN	04/22/93			size
		appd	JENN TSAO	04/22/93			dwg no.
							93067
sheet	revision						
index	sheet	1					TWN
							sheet
							2 OF 2